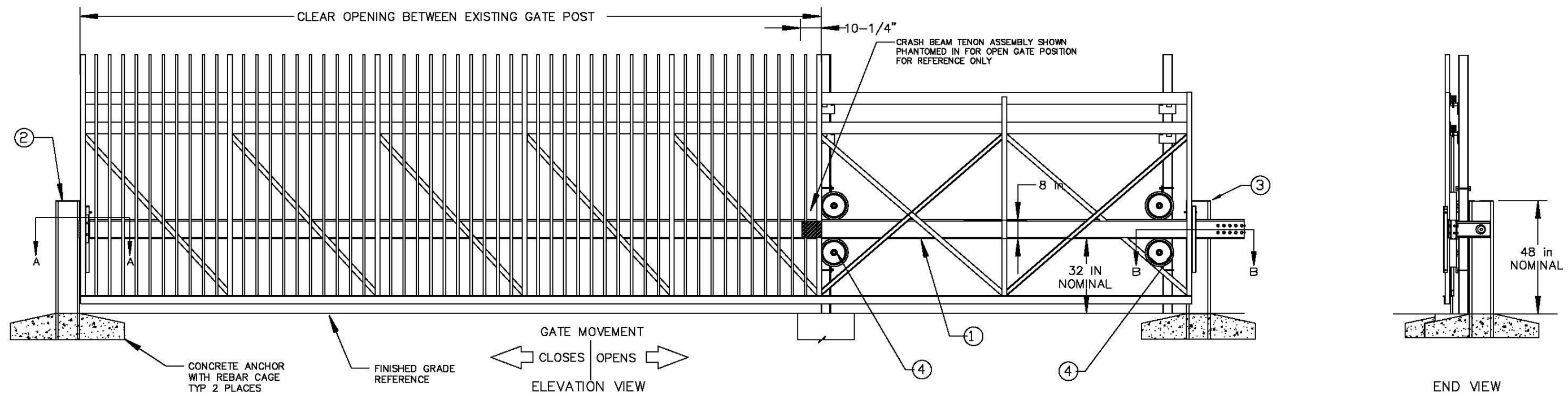
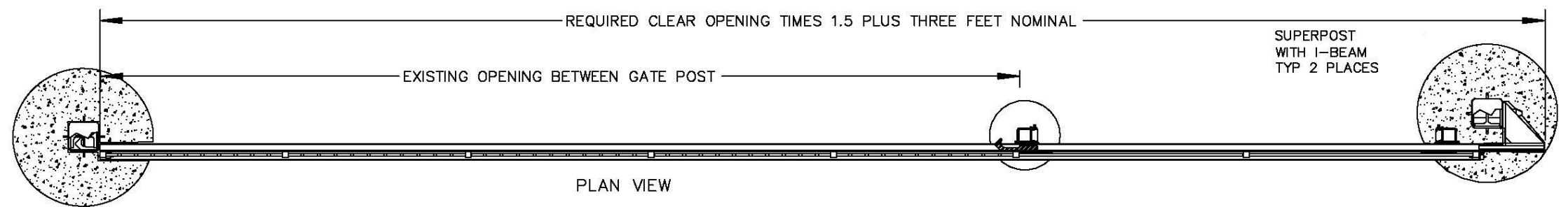
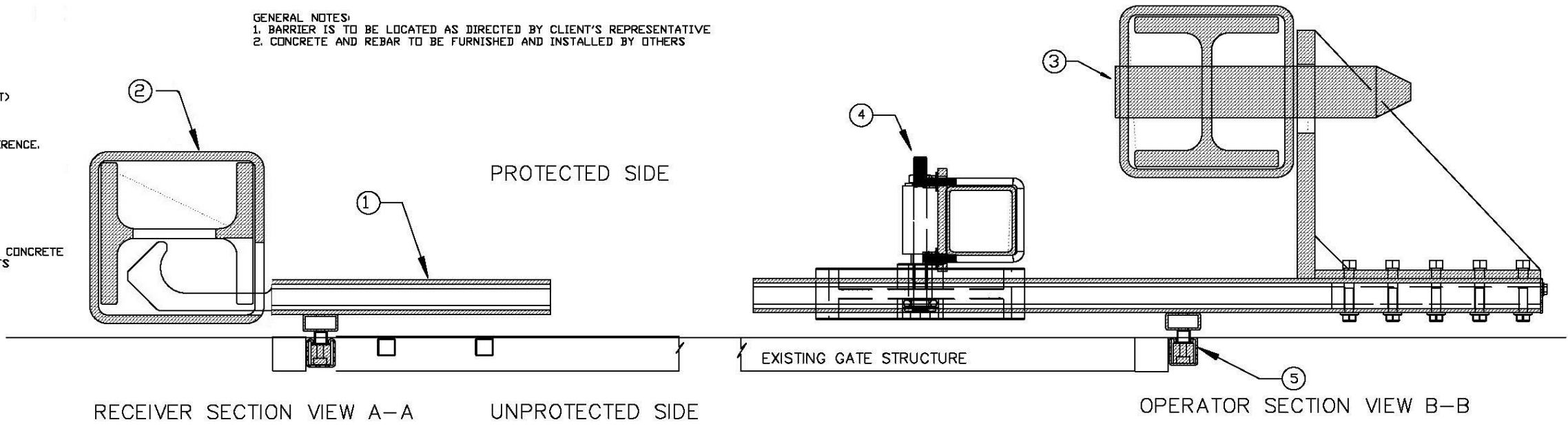


PART QTY	DESC
1	1 CRASH BEAM ASSEMBLY
2	1 RECEIVER SUPERPOST ASSEMBLY
3	1 OPERATOR SUPERPOST ASSEMBLY
4	1 CRASH BEAM SUPPORT SYSTEM ASSEMBLY
5	1 CRASH BEAM ATTACHMENT SYSTEM

- INSTALLATION NOTES:**
- BARRIER WILL BE DELIVERED AS FIVE MAJOR ASSEMBLIES (OPERATOR SUPERPOST, RECEIVER SUPERPOST, CRASH BEAM, SUPPORT SYSTEM AND PARTS PALLET)
 - THIS BARRIER IS DESIGNED TO BE INSTALLED ON AN EXISTING GATE. IF HOST GATE SYSTEM IS NOT INSTALLED, SIMULTANEOUS INSTALLATIONS WILL REQUIRE EXTRA BRACING
 - ALL INSTALLATION INSTRUCTIONS ARE WITH RESPECT TO THE CLEAR OPENING AS THE BASE REFERENCE.
 - FOR MOUNTING OF CRASH BEAM TO HOST GATE SYSTEM
 - FOR LOCATION OF CONCRETE ANCHORS AND SUPERPOSTS AND EXCAVATION OF ANCHOR HOLES
 - BASIC SEQUENCE OF INSTALLATION IS:
 - TEMPORARILY INSTALL CRASH BEAM TO HOST GATE ACROSS DESIRED CLEAR OPENING
 - REFERENCE LOCATION OF OPERATOR SUPERPOST AND RECEIVER SUPERPOSTS TO CRASH BEAM WHEN HOST GATE IS IN FULLY CLOSED POSITION
 - EXCAVATE ANCHOR HOLES AND LOCATE REBAR CAGES AND SUPERPOSTS
 - MAKE FINE ADJUSTMENTS TO POSITIONS AND BRACE ALL UNITS SECURELY IN POSITION
 - OPERATE GATE TO VERIFY SMOOTH AND EASY OPERATIONS AND PROPER POSITIONS AND PLACE CONCRETE
 - AFTER CONCRETE HAS SET, REPLACE TEMPORARY ATTACHMENTS WITH PERMANENT ATTACHMENTS
 - MAKE ANY FINAL ADJUSTMENTS
 - FOR OTHER INSTALLATION DETAILS SEE INSTALLATION INSTRUCTIONS

GENERAL NOTES:
 1. BARRIER IS TO BE LOCATED AS DIRECTED BY CLIENT'S REPRESENTATIVE
 2. CONCRETE AND REBAR TO BE FURNISHED AND INSTALLED BY OTHERS



PREPARED BY	KUNEMAN	01FEB18
CHECKED BY	ANDERSON	01FEB18
DISCIPL APPR	ANDERSON	01FEB18
INTERFACE CK		
01FEB18 ORIGINAL ISSUE	MLK JWA JWA PM APPR	
NO DATE REVISION	BY CK APPR CLIENT APPR	



JOB NAME
**ATTACHABLE SECURGATE
 MONOLOCK CRASH BEAM**

SHEET TITLE
**PRODUCT
 ILLUSTRATION
 RIGHT HAND GATE SHOWN**

JOB NO	1807-3	DATE	01FEB18
REV NO	0	DWG NO	SI002A
SCALE	NONE		